

CASATHERM B2000 GOLD LOWGLARE

NEW:

Gold lamp with LowGlare internal coating - 70% less dazzling light proportion.



Features CasaTherm B2000 Gold LowGlare

- latest halogen infrared technology
- high power rating - gold lamp with 2,000 watts
- LowGlare internal coating - 70% less dazzling light proportion
- high short-wave radiation component (IR-A)
- direct warmth without getting hot
- direct heating through infrared deep-heat
- robust aluminium housing protected by steel pipe cage
- unaffected by weather conditions: no heat loss due to movement of air
- ideal for use in wet areas (IP55: protected against water jets)
- large heating area of up to 8 m²
- with wall bracket for alternate wall installation
- versatile application at cold and draughty construction sites for drying or heating
- no emissions
- maintenance-free



CasaTherm B2000 Gold LowGlare for construction sites

Fast Heat on demand on drafty building sites for the well-being and health of employees. Punctual drying of masonry and surfaces. No gas cylinder handling - one wall socket is able to drive.

The infrared halogen gold lamp with LowGlare internal coating with high short-wave radiation component has a lifespan of approx. 5,000 hrs.

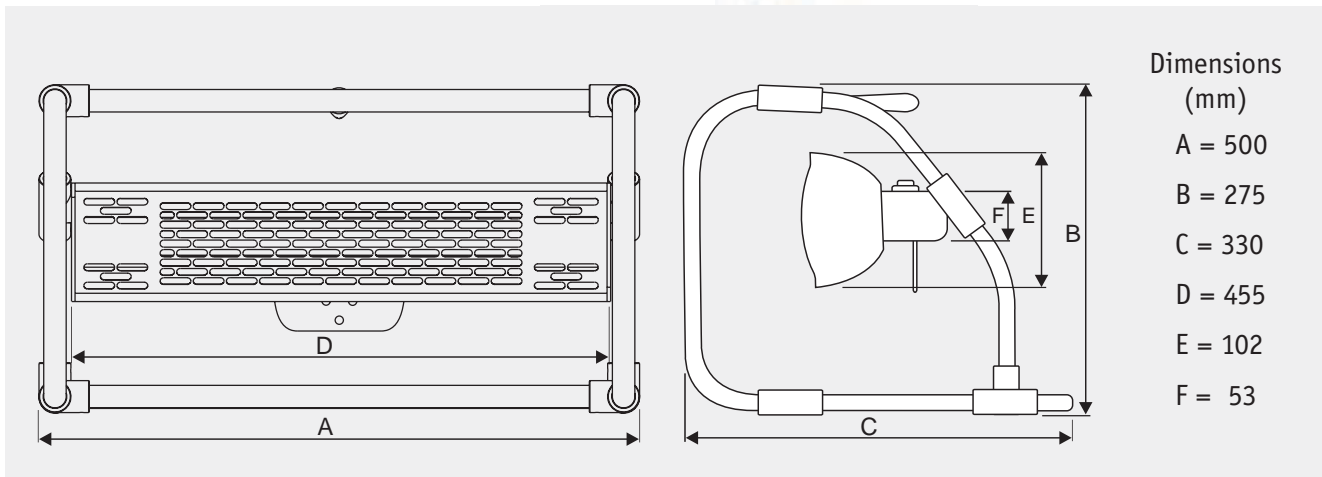
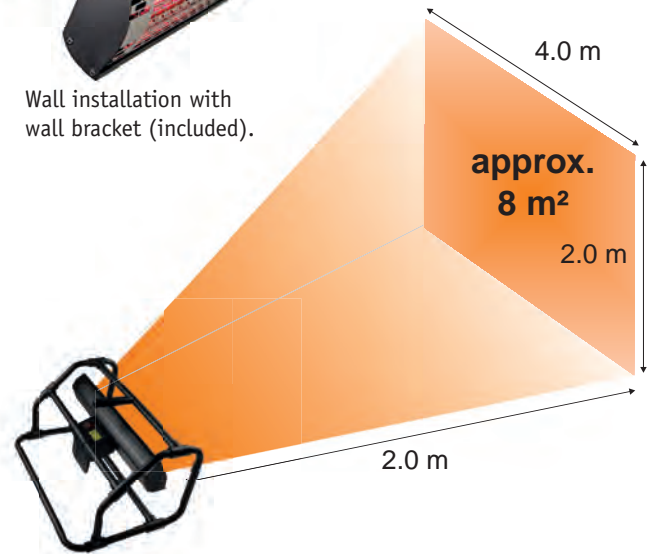
IP55 (protection against water jets) ensures the electrical safety for the user, even in harsh and wet environments.

In addition to the mobile use of the CasaTherm B2000 Gold LowGlare a permanently mounting on the wall or suspended application with optional chains at the ceiling is possible. CasaTherm B2000 Gold LowGlare has a 2.000 watts heater with an on/off switch and a 1.8 m rubber cable and Schuko plug.

Heating area B2000 Gold LowGlare



Wall installation with wall bracket (included).



Data	CasaTherm B2000 Gold LowGlare
Code No. (with cable/plug and switch)	70032
Heating area (m ²)	8
Heating up time (seconds)	< 10
Recommended min. distance to ceiling (m)	0.50
Lamp lifespan approx. (hrs.)	5,000
Dimensions W x H x D (mm)	500 x 275 x 330
Weight (kg)	3.5
Power consumption (W)	2,000
Current consumption approx. (A)	8.7
Voltage / Frequency (V / Hz)	220-240 / ~50/60
Degree of protection / protection class	IP55 / I
Colour	silver / black
Materials	Aluminium / stainless steel / composite
Replacement lamp Gold LowGlare	#70047