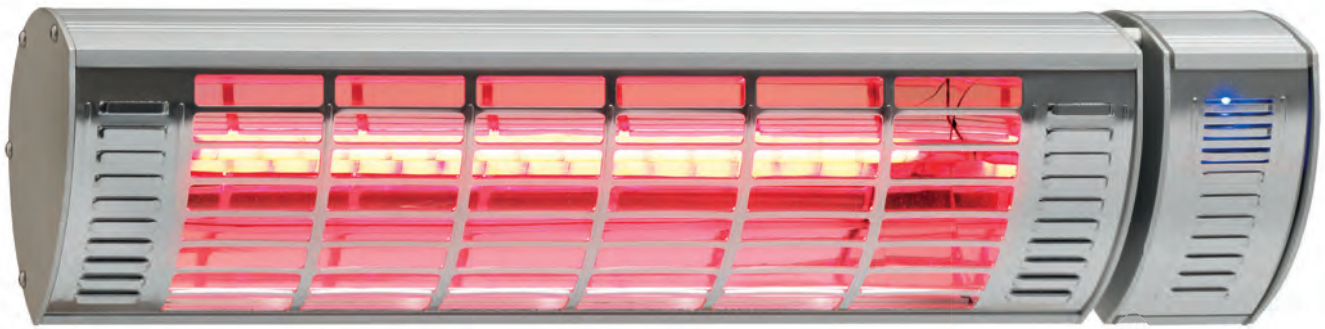


# CASATHERM W GOLD LOWGLARE



CasaTherm W Gold LowGlare mounted horizontal and vertical with optional stand with base STA1 #70010 (2.50 m high) as well as with universal clamp for pipes/poles UK1 #70041

# CASATHERM W GOLD LOWGLARE



Now also with remote control:  
CasaTherm W2000 FB #70030 Gold  
LowGlare (here colour anodized  
aluminium) dimmable in 5 steps  
(30 - 45 - 60% - 80% - 100%) !

**NEW!**  
remote control  
dimmable



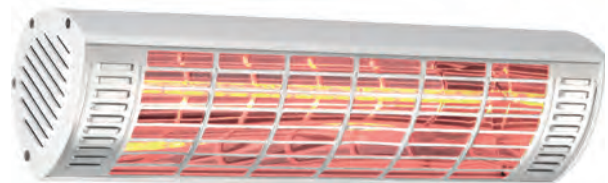
## Features CasaTherm W2000 and W1500 Gold LowGlare

- latest halogen infrared technology
- high power rating - gold lamp with 1,500 or 2,000 watts
- LowGlare internal coating - 70% less dazzling light proportion - Candlelight atmosphere in comforting warmth
- high short-wave radiation component (IR-A)
- direct warmth without getting hot
- direct heating through infrared deep-heat
- NEW! Now with remote control dimmable in 5 steps (30 - 45 - 60 - 80 - 100%)
- unaffected by weather conditions: no heat loss due to movement of air
- ideal for use in outdoor areas (IP55: protected against water jets)
- robust design housing made of aluminium in colour natural alu or matt white
- large heating area of up to 12 m<sup>2</sup>
- wall bracket included
- wide range of possible applications
- no emissions
- maintenance-free

The new profile of the reflector ensures, unlike many other models, that the temperature does not exceed 100 °C on the back of the radiant heater. Thus, even with the included spacer when mounted on wood, no fire risk.

The CasaTherm W2000 and W1500 Gold LowGlare halogen infrared radiant heaters are characterized by their robust construction, its high flexibility as well as for their beautiful form design.

The infrared halogen gold lamp with LowGlare internal coating with high short-wave radiation component has a lifespan of approx. 5,000 hrs.



CasaTherm W2000 Gold LowGlare matt white, #70025 with wall bracket (included)

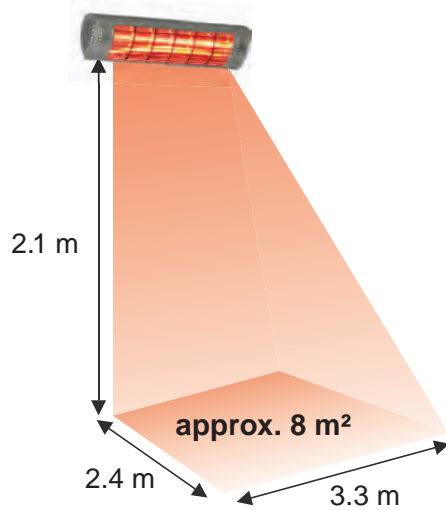
It can be mounted directly on the wall or with the optional accessories pivotally mounted on walls, ceilings, pipes/poles, parasols or a on a stable stand with base. CasaTherm W2000 and W1500 Gold LowGlare have 2,000 or 1,500 watts power rating, and are delivered with a 5m rubber cable and Schuko plug.

CasaTherm W2000 Gold LowGlare with optional accessory chain suspension  
KAH #70043

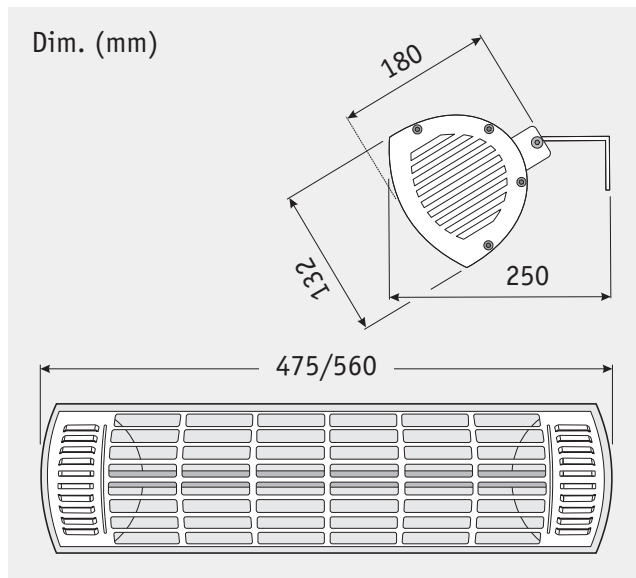
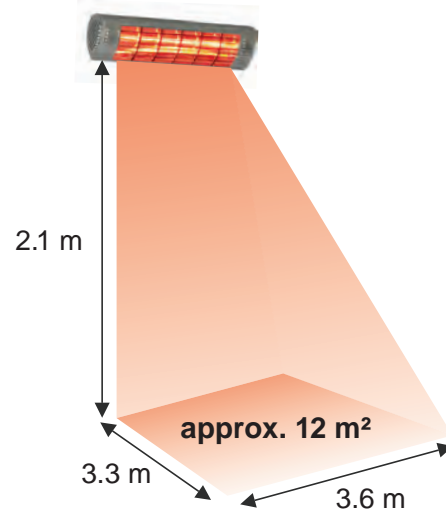


# Heating area CasaTherm W Gold LowGlare

CasaTherm W1500 Gold Low Glare



CasaTherm W2000 + R/C Gold Low Glare



Accessories CasaTherm W	Code No.
Stand with base STA1	70010
Universal clamp for pipes UK1	70041
Universal clamp for pipes UK2	70045
Chain suspension KAH	70043
Controller/Dimmer IP54 (2.3 kW)*	98610
Controller/Dimmer IP54 (3.2 kW)*	98625
R/C dimmable, IP54 (max. 2.0 kW)*	71100
R/C dimmable, 434 MHz, IP44 (max. 3.6 kW)*	71101
Repl. lamp Gold LowGlare 1,500 W	70042
Repl. lamp Gold LowGlare 2,000 W	70044
Smokers control/Timer*	980001x

\* not suitable for models with remote control (-FB)

Data	CasaTherm W1500 Gold LowGlare	CasaTherm W2000 Gold LowGlare	CasaTherm W2000 FB Gold LowGlare
Code No. (matt white)	70027	70025	70031
Code No. (natural aluminium)	70028	70026	70030
Heating area (m²)	8	12	12
Heating up time approx. (seconds)	< 5		
Dimmable with remote control	no		yes
Min. distance to ceiling (m)	0.30		
Lamp lifespan (hrs.)	approx. 5,000		
Dimensions W x H x D (mm)	475 x 132 x 180		560 x 132 x 180
Weight (kg)	2.7	3.3	3.8
Power consumption (W)	1,500	2,000	2,000
Current consumption approx. (A)	6.7	8.7	8.7
Voltage / Frequency (V / Hz)	220-240 / ~50/60		
Degree of prot. / protection class	IP55 / I		
Material	Aluminium		