

COMMERCIAL USE

Certified according Machinery Directive 2006/42/EC, part 1 for commercial use.

Available on request:
220-240 V/~60 Hz
110-120 V/~60 Hz

- high-performance desk fan
- ideal for personal cooling in commercial and insutrial areas
- strong air stream - lowest speed for personal use reduced



IP44
splash proof



Switch for ON/OFF and switching the power level are covered by the rubber protective.



Easy installation at traverses and superstructures.

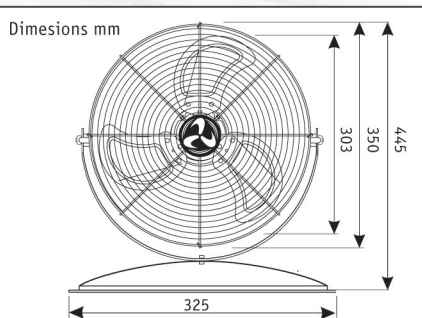


DESK2PROTECT #303508

housing, protective grille and tube frame with double corrosion protection coating, colour white, blade made of seawater resistant aluminium

Often in hot weather and in rough, wet and dirty environmental conditions in production, workshop and workplace, simple fans from the do-it-yourself store are used to cool people and machines. These fans were developed for use in private households and provide insufficient protection again splashing water. The new **DESK2PROTECT** helps out in this situation!

- High-performance desk/superstructure fan in industrial design.
- Perfect for personal use in production areas, warehouses and workshops.
- Easily installation at superstructures and frames.
- 3 speeds selectable by enclosed pressure switch.
- Vertical grade of 130° adjustable.
- Stable, tilt-free steel base.
- Protective grille, housing, frame and base with double corrosion protection coating, white.
- Useful transport handle and cable coil at the back side of protective grille.
- 2.5 m supply cable, oil-resistant, rubber-insulated cable H05RN-F G 3 1.0 mm² with Schuko plug.
- Powerful aluminium impeller.
- Protection class IP44 splash proof.



DESK2PROTECT

Grille Ø (mm)	400
Blades Ø (mm)	303
Power motor (W)	43
Voltage (V/Hz)	220-240/~50
No. of speeds	3
Rev. (RPM)	1,360
Air delivery (m ³ /h)	2,250
Weight (kg)	5.1

Product	Code No.	Housing/Grille Finish	Blade Finish
DESK2PROTECT	303508	Double corrosion protection coating, white	Aluminium