

Floor 2 Protect

FLOOR2PROTECT #304510
housing, protective grille and tube frame
with double corrosion protection coating,
colour white, blade made of seawater resis-
tant aluminium.

COMMERCIAL USE

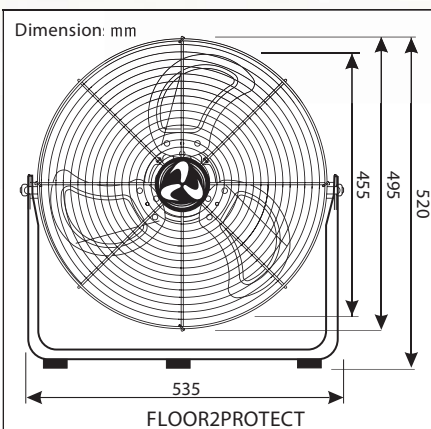
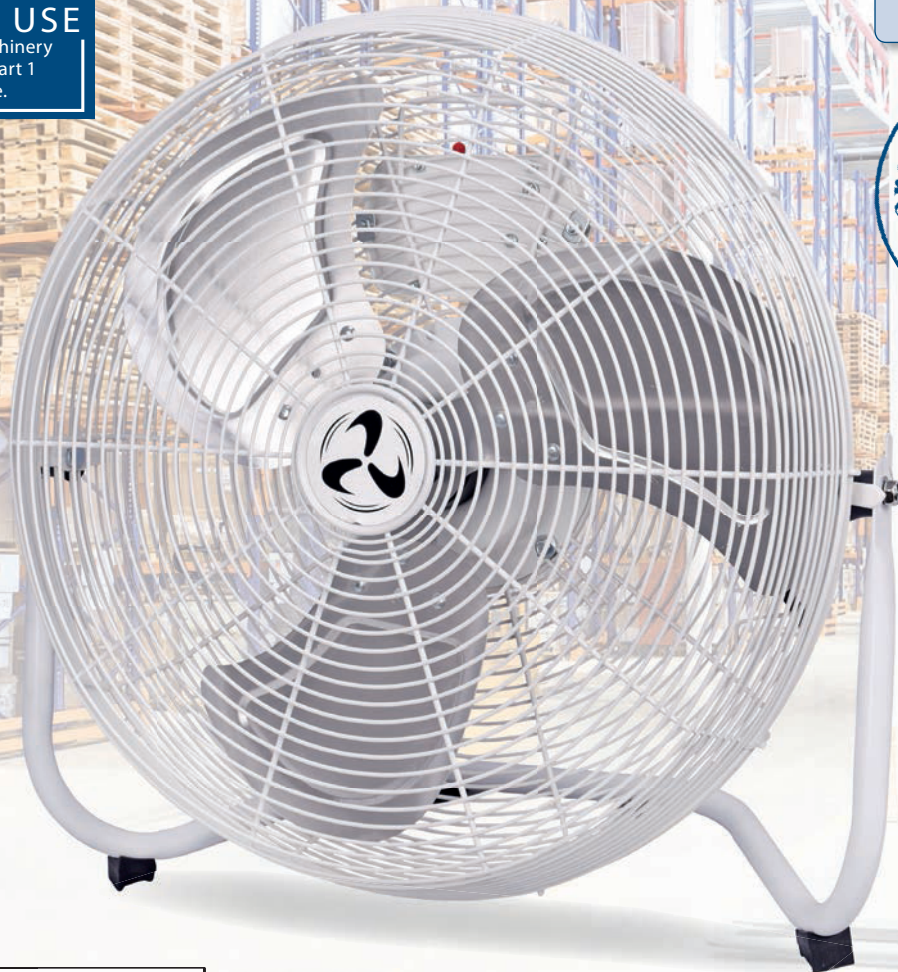
Certified according Machinery
Directive 2006/42/EC, part 1
for commercial use.

Available on request:
220-240 V/~60 Hz
110-120

high-performance
floor fan
ideal for cooling of
humans and ma-
chines in business
and industry
super strong air flow



IP44
splash
proof



Grille Ø (mm)	495
Blades Ø (mm)	455
Power motor (W)	120
Voltage (V/Hz)	220-240/~50
No. of speeds	2
Rev. (RPM)	1,250
Air delivery (m ³ /h)	6,850
Weight (kg)	7.1

High-performance floor fan in industrial design.
Ideal for use in production, warehousing and shipping.
Wall installation possible.
2 speeds by enclosed pressure switch.
Vertical grade of 130° adjustable.
Protective grille, housing, frame and base with double corrosion protection coating, white.
Comfortable handle on the rear side of the protective grille.
2.5 m supply cable, oil-resistant, rubber-insulated cable H05RN-F G 3 1.0 mm² with Schuko plug.
Powerful aluminium impeller.
Protection class IP44 splash proof.



Switch for ON/OFF and switching the power level are covered by a the rubber protective.

Product	Code No.	Housing/Grille Finish	Blade Finish
FLOOR2PROTECT	304510	Double corrosion protection coating, white	Aluminium