
INSTRUCTIONS FOR INSTALLATION AND USE

Ceiling Fan Model Toledo (FN11146 / FN11156)

BEFORE YOU START

Proper use:

- This product is intended exclusively for non-commercial use as ceiling fan.
- The product has to be installed and used in accordance with these instructions.
- Any use of this product that is not in accordance with these instructions will void the legal warranty of the manufacturer.

Please keep the original carton and packaging material as the warranty will only be honored if product is returned in complete original packaging.

FOR YOUR OWN SAFETY

General safety instructions:

- For the safe use of this product, you need to have read and understood these instructions before installing or using the product.
- Please follow all safety instructions! If you ignore these safety instructions, you will endanger yourself and others.
- Keep these instructions for future reference.
- All parts of this product have to be installed properly in order to ensure safe operation.
- Modification of the product and use of non-approved parts are prohibited.
- This product is not intended for use by persons (including children) with reduced physical, sensory or mental capabilities, or lack of experience and knowledge, unless they have been given supervision or instruction concerning the use of the product by a person responsible for their safety. Children should be supervised to ensure that they do not play with the product.

Electrical safety:

- The electrical installation must be performed by a qualified electrician and must be in accordance with national and local regulations.
- Use a fault-current circuit breaker with a rated residual current of no more than 30 mA.
- Make sure to install an all-pole disconnection switch having a contact separation of at least 3mm between poles in the supply wiring to the ceiling fan.
- Before connecting the appliance to the electrical grid, make sure that it will only be operated within the specified parameters.
- The fan must be properly grounded to avoid the risk of electric shocks.
- Switch off the power before connecting, repairing or cleaning the fan.

Storage and transport:

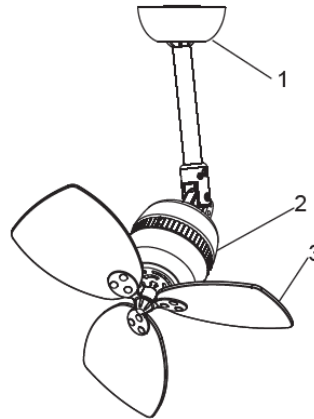
- Always store the fan in a dry environment.
- Protect the fan from damages during transport.

Safety instructions specific to this fan:

- Attach the fan only directly to the ceiling structure.
- The carrying capacity of the ceiling structure from which the fan is hung must be at least three times the weight of the fan.
- The minimum distance between the blades of the fan and the floor must be 2.3m.
- Never mount the fan outside or in a humid or wet environment. The fan can not be installed within proximity of water (e.g. bath tub, swimming pool, water connection).
- The fan can only be installed horizontally on the ceiling.
- Switch off the power before connecting, repairing or cleaning the fan.
- The rotor area has to be kept clear of any objects at all times.
- Be careful when working near the rotating blades.

FAN OVERVIEW

1. Canopy
2. Motor housing
3. Propeller



UNPACK THE FAN

- Unpack the fan and check that contents are complete.
- Dispose of packaging – see also “Disposal”.

Contents of packaging:

Instructions for Installation and Use	1PC	Mounting screw	2PCS
Mounting bracket	1PC	Spring washer	2PCS
Fan assembly	1PC	Flat washer	2PCS
Fan blade assembly	1PC	Lock washer	2PCS
Propeller nut	1PC	Blade balance kit	1PC
Wall control	1PC	Wood screw	2PCS

Note: In case of damaged or missing parts, please contact your retailer.

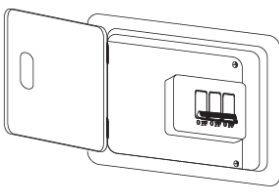
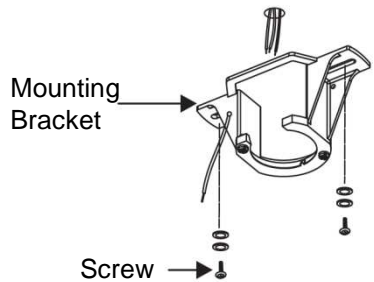
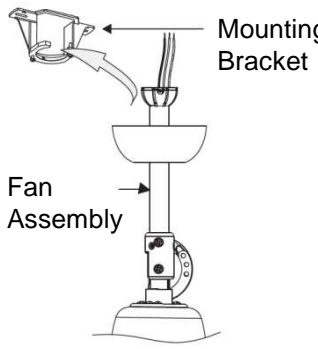
INSTALLATION

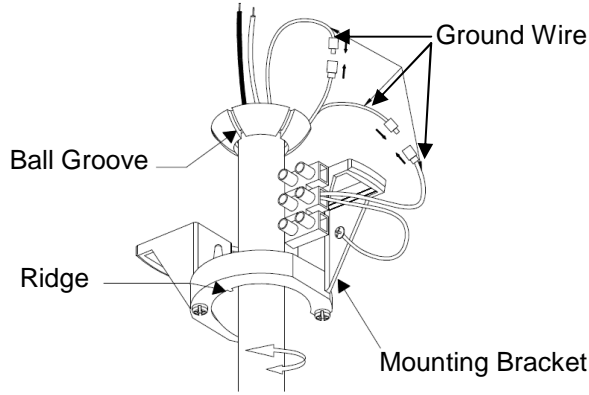
Risk of electric shock: Switch off the electricity using the switch at the circuit breaker box before installing the fan.

Risk of electric shock: The electrical installation must be performed by a qualified electrician and must be in accordance with national and local regulations.

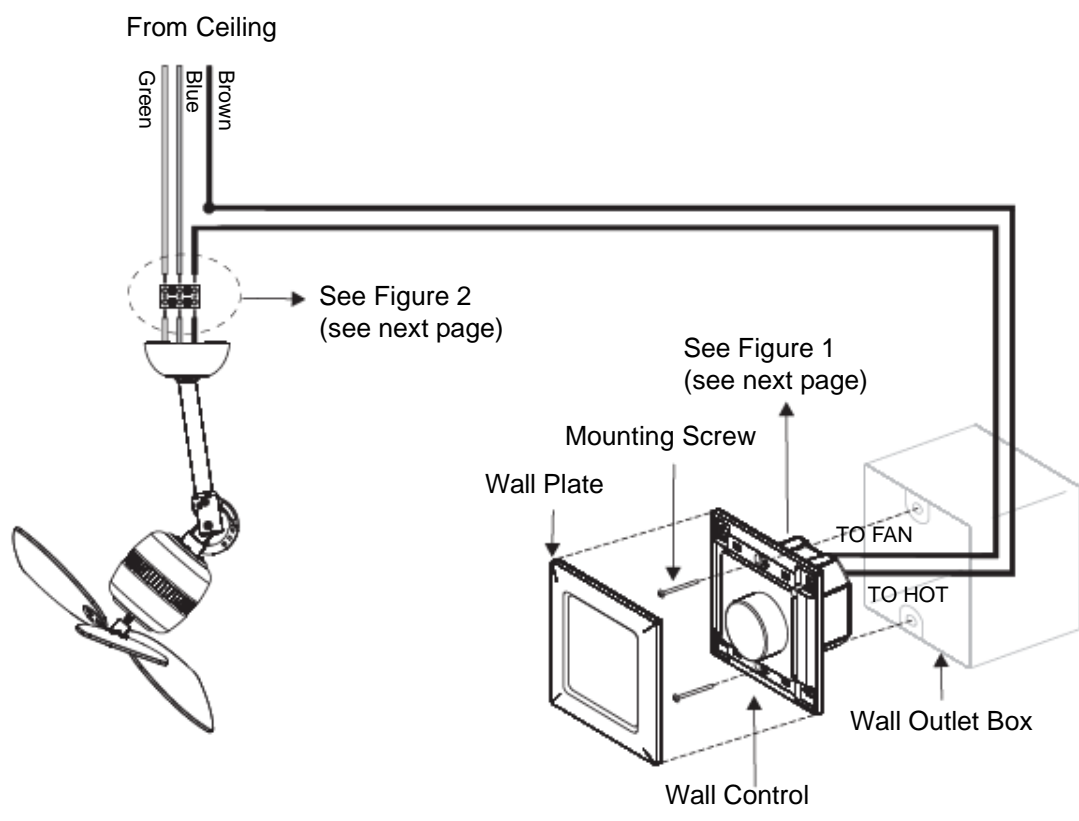
Risk of injury: In case you need to drill holes for mounting the fan, make sure that the drills have sufficient distance to in-ceiling wiring.

Installation Instructions:

 <p>1. Turn off power at breaker box to avoid possible electrical shock.</p>	 <p>2. Pass the supply wires through the mounting bracket. Secure the mounting bracket to a ceiling joist or other structural ceiling element with two screws, spring washers and flat washers. Note: The structural element must support at least three times the weight of the fan.</p>	 <p>3. Lift fan assembly onto mounting bracket.</p>
--	---	---

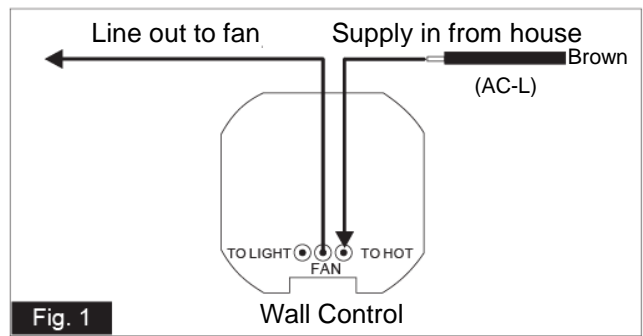
	<p>4. Rotate fan so that the groove on the ball engages the ridge in the mounting bracket. Connect ground (green) wires as shown. Note: Do not rotate the fan assembly more than 360 degrees.</p>
--	--

5. Make wire connections



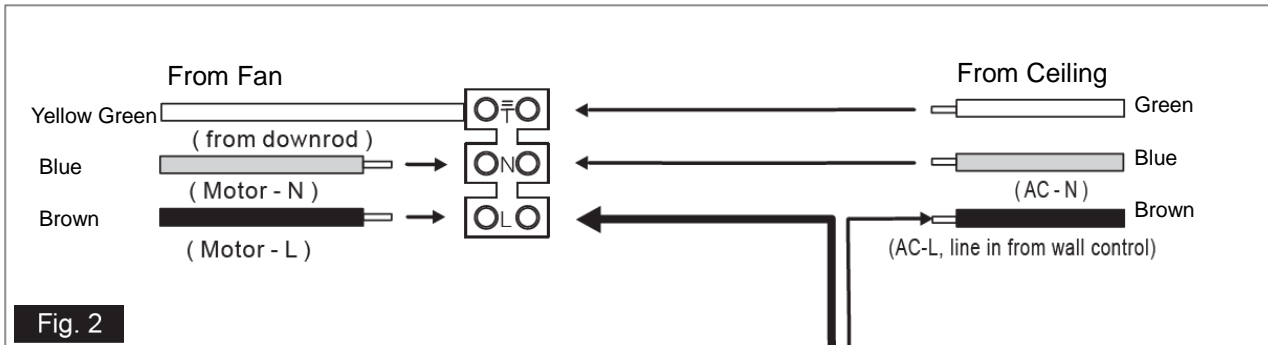
a. at wall (Fig.1):

1. Connect supply in from house to wall control node marked "TO HOT".
 2. Connect line out to fan to wall control node marked "FAN".
- Note: The "TO LIGHT" node on wall control is not applicable for this fan.



b. at ceiling (Fig.2):

1. Connect blue wire from fan to terminal block marked "N".
2. Connect brown wire from fan to terminal block marked "L".
3. Connect green wire from ceiling to terminal block marked "T".
4. Connect blue wire from ceiling to terminal block marked "N".
5. Connect line in from wall control to terminal block marked "L".



AFTER ALL WIRES ARE CONNECTED:

- (1) Attach wall control unit to outlet box using the two mounting screws provided.
 - (2) Attach wall plate to the switch control front.
- Note: Wires from house may vary in color and may not include ground wire (green/yellow).

⚠ WARNING

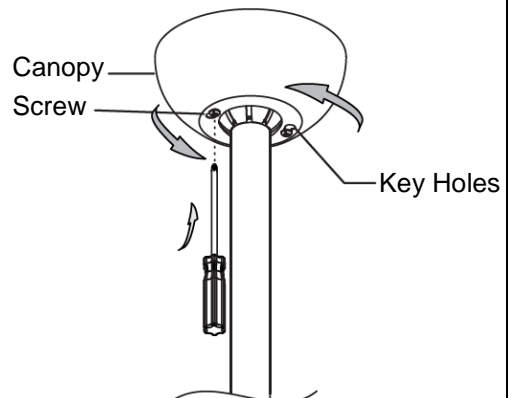
To avoid possible fire or shock, make sure that the electrical wires are completely inside the outlet box and not pinched between the wall plate and the wall.

⚠ WARNING

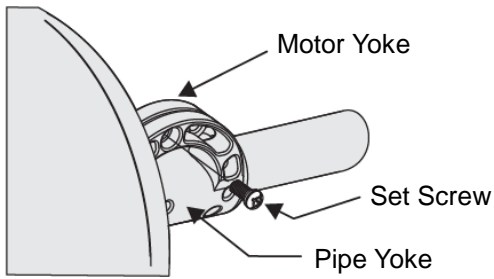
Check to see that all connections are tight, including ground, and that no bare wire is visible at the wire connectors, except for the ground wire. Do not operate fan until the blades are in place. Noise and fan damage could result.

6. Canopy installation

- a. Push up the canopy until the two screws on mounting bracket are engaged with key holes in canopy.
- b. Rotate the canopy slightly until the two screw heads are in the small end of the key holes.
- c. Tighten both screws.

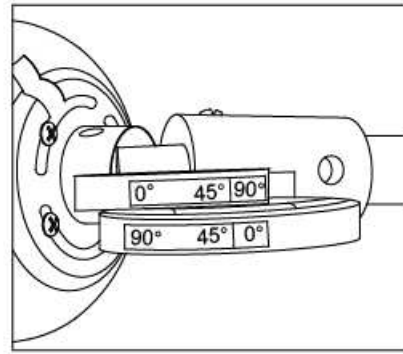
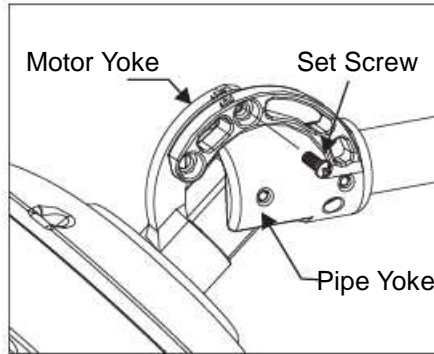


7. Set up fan configuration

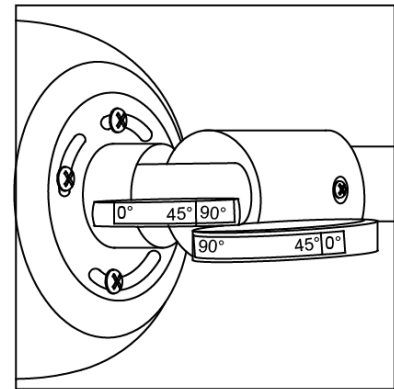
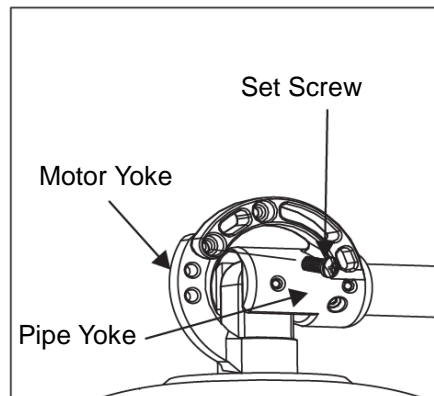


- Remove the set screw between yokes and adjust motor to preferable position
- Possible fan configurations are shown below. Line up the motor yoke and pipe yoke for the desired configuration, as shown below.
- Replace the set screw and tighten.

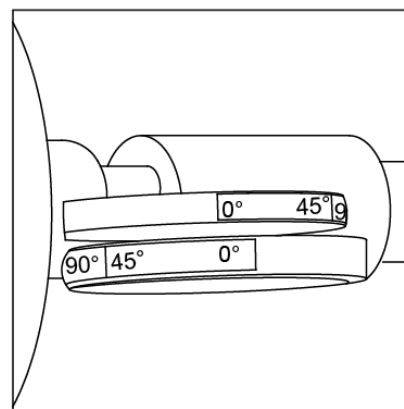
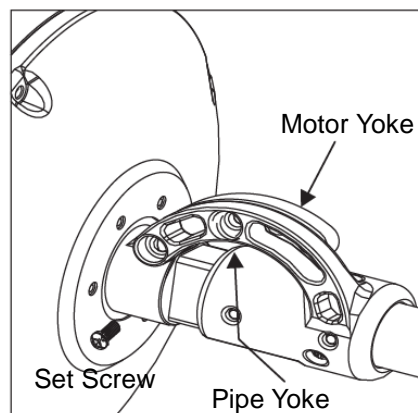
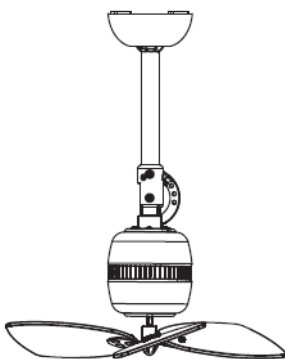
For 45 degree



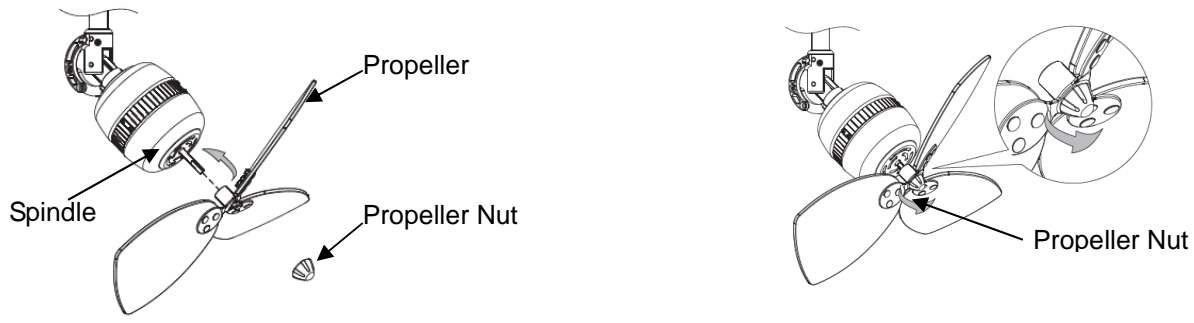
For 90 degree



For 0 degree



8. Blade Installation



a. Attach Propeller to spindle.

b. Thread the propeller nut counter-clockwise on spindle until fully tightened.

CLEANING

Risk of injury: Before cleaning the fan, always switch off the power at the main circuit breaker and wait until the fan has come to a complete stop.

Clean the fan with a dry or damp soft cloth. Do not use any liquids or detergents.

DISPOSAL

Disposal of the fan: You are required to dispose of electric and electronic appliances separately from your household waste. Please inquire at your municipality regarding proper ways of disposal.

By separately disposing of your electric and electronic appliances, you are participating in recycling and you are helping to prevent potentially toxic substances from polluting the environment.

Disposal of the packaging: The packaging consists of cardboard and marked plastic and Styrofoam which can be recycled. Please recycle.

MALFUNCTIONS – TROUBLE SHOOTING

Risk of injury: Inappropriate repairs can lead to the fan not functioning safely. This can cause a hazard for yourself and your environment.

Please check the following table before contacting your retailer.

Malfunction	Underlying cause (error)	Solution
Fan does not turn.	Fan switched off?	Switch on fan.
	No mains voltage?	Check circuit breaker.
	Wiring connected incorrectly?	Check step 5 to ensure wiring connected correctly.
Fan vibrates.	Fan not installed properly?	Install fan thoroughly according to installation instructions.

If you can not resolve the malfunction yourself, please ask your retailer directly.

Please note that the warranty will be voided by inappropriate repairs.

TECHNICAL DATA (When used with wall control)

Speed	Voltage	Power	RPM
IV	230V ~ / 50Hz	38.7W	659
III		30.7W	569
II		19W	435
I		15.4W	369

MANUFACTURER

Vaxcel International Co., Ltd.
121 E North Avenue, Carol Stream, IL, USA
www.vaxcel.com