
INSTRUCTIONS FOR INSTALLATION AND USE

Ceiling Fan Model Zephyr (FN611XX)

BEFORE YOU START

Proper use:

- This product is intended exclusively for non-commercial use as ceiling fan.
- The product has to be installed and used in accordance with these instructions.
- Any use of this product that is not in accordance with these instructions will void the legal warranty of the manufacturer.

Please keep the original carton and packaging material as the warranty will only be honored if product is returned in complete original packaging.

FOR YOUR OWN SAFETY

General safety instructions:

- For the safe use of this product, you need to have read and understood these instructions before installing or using the product.
- Please follow all safety instructions! If you ignore these safety instructions, you will endanger yourself and others.
- Keep these instructions for future reference.
- All parts of this product have to be installed properly in order to ensure safe operation.
- Modification of the product and use of non-approved parts are prohibited.
- This product is not intended for use by persons (including children) with reduced physical, sensory or mental capabilities, or lack of experience and knowledge, unless they have been given supervision or instruction concerning the use of the product by a person responsible for their safety. Children should be supervised to ensure that they do not play with the product.

Electrical safety:

- The electrical installation must be performed by a qualified electrician and must be in accordance with national and local regulations.
- Use a fault-current circuit breaker with a rated residual current of no more than 30 mA.
- Make sure to install an all-pole disconnection switch having a contact separation of at least 3mm between poles in the supply wiring to the ceiling fan.
- Before connecting the appliance to the electrical grid, make sure that it will only be operated within the specified parameters.
- The fan must be properly grounded to avoid the risk of electric shocks.
- Switch off the power before connecting, repairing or cleaning the fan.

Storage and transport:

- Always store the fan in a dry environment.
- Protect the fan from damages during transport.

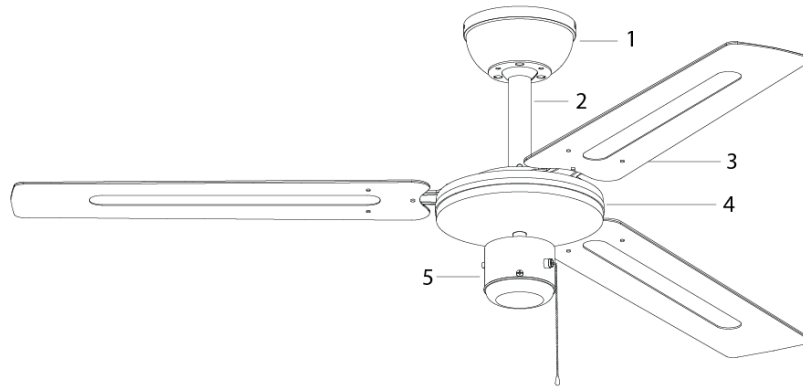
NO:832

Safety instructions specific to this fan:

- Attach the fan only directly to the ceiling structure. The minimum distance between the blades of the fan and the floor must be 2.3m.
- The carrying capacity of the ceiling structure from which the fan is hung must be at least three times the weight of the fan.
- The fan can only be installed horizontally on the ceiling.
- The rotor area has to be kept clear of any objects at all times.
- Never mount the fan outside or in a humid or wet environment. The fan cannot be installed within proximity of water (e.g. bath tub, swimming pool, water connection).

FAN OVERVIEW

1. Canopy
2. Downrod set
3. Fan blades
4. Motor housing
5. Switch box



UNPACK THE FAN

- Unpack the fan and check that contents are complete.
- Dispose of packaging – see also “Disposal”.

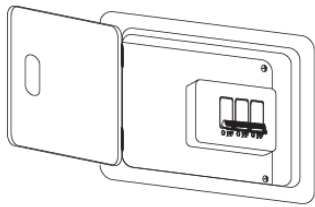
Contents of packaging:

Instructions for Installation and Use	Mounting screws
Mounting bracket	Spring washers
Motor housing	Flat washers
Fan blades	Canopy
Pull cords	Blade balancing kit

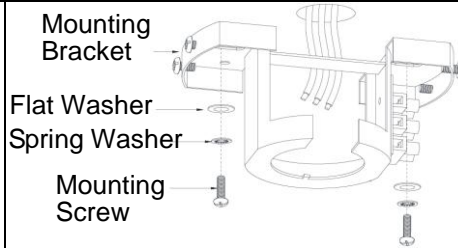
Note: In case of damaged or missing parts, please contact your retailer.

INSTALLATION

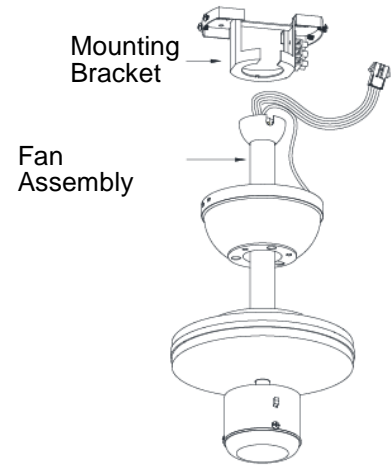
Risk of electric shock: Switch off the electricity using the switch at the circuit breaker box before installing the fan.
Risk of electric shock: The electrical installation must be performed by a qualified electrician and must be in accordance with national and local regulations.
Risk of injury: In case you need to drill holes for mounting the fan, make sure that the drills have sufficient distance to in-ceiling wiring.



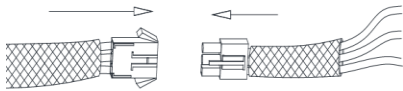
1. Switch off the electricity using the switch at the circuit breaker box.



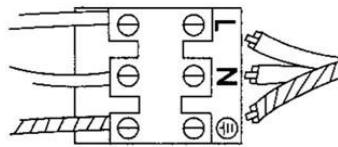
2. Pass the supply wires through the mounting bracket. Secure the mounting bracket to a ceiling joist or other structural ceiling element with two screws, spring washers and flat washers. Ensure that the support for the mounting bracket is capable of safely holding the moving weight of the fan.



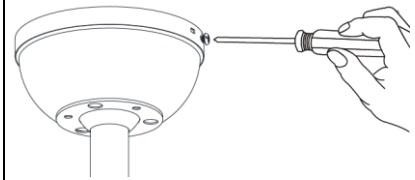
3. Lift the fan assembly onto the mounting bracket. Make sure the guide pin of the bracket is fitted into the corresponding slot of the ball joint.



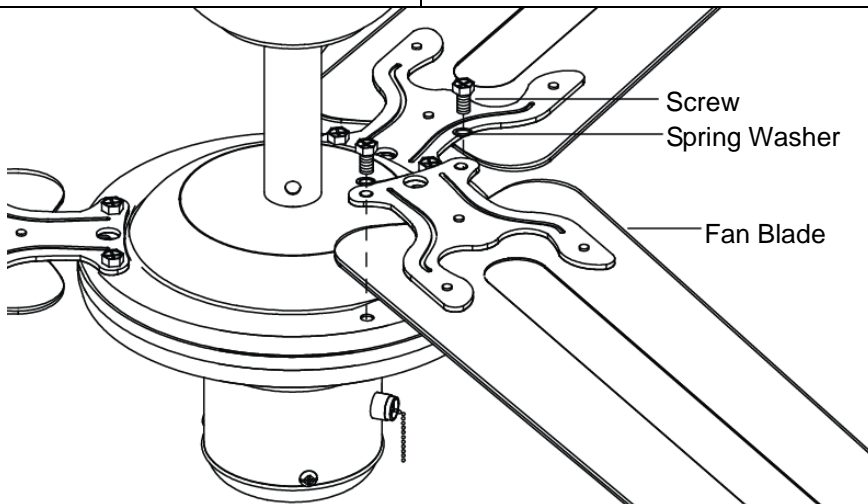
4. Connect the internal lead wire from the bracket to the fan by joining the two plastic 3-way connectors. Make sure that the connectors are firmly snapped together.



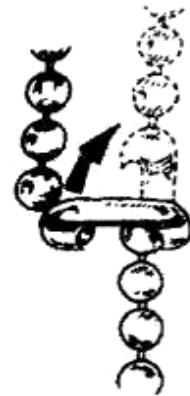
5. Connect wires from supply and bracket to the wiring terminals as follows:
 Brown wire - "L"
 Blue wire - "N"
 Green/yellow striped wire - "GND"



6. Lift the canopy to the ceiling and rotate it counterclockwise until the screws drop into the slot recesses. Insert the other two set screws and washers. Tighten all the screws, make sure that the canopy is secure and that you have not trapped any wires.



7. Unscrew the screws and spring washers from the fan motor. Install the fan blade sets onto the motor by tightening the screws and spring washers evenly.



8. Attach the pull cord; ensure that the pull cord retaining clip supports the cord.

OPERATING THE FAN

The fan can be operated at different speeds by pulling the three-speed switch using the pull cord:

- First pull: HIGH speed
- Second pull: MEDIUM speed
- Third pull: LOW speed
- Fourth pull: OFF

FAN ROTATING DIRECTION SWITCH

The switch on the fan controls the direction of rotation. This changes the direction of air movement:

- In cold weather: Push the switch “up” so that the fan will circulate the warm air trapped near the ceiling to move downwards throughout the room.
- In hot weather: Push switch “down” so that the fan will create a breeze and circulate the air to the room.

CLEANING

Risk of injury: Before cleaning the fan, always switch off the power at the main circuit breaker and wait until the fan has come to a complete stop.

Clean the fan with a dry or damp soft cloth. Do not use any liquids or detergents.

DISPOSAL

Disposal of the fan: You are required to dispose of electric and electronic appliances separately from your household waste. Please inquire at your municipality regarding proper ways of disposal.

By separately disposing of your electric and electronic appliances, you are participating in recycling and you are helping to prevent potentially toxic substances from polluting the environment.

Disposal of the packaging: The packaging consists of cardboard and marked plastic and Styrofoam which can be recycled. Please recycle.

MALFUNCTIONS – TROUBLE SHOOTING

Risk of injury: Inappropriate repairs can lead to the fan not functioning safely. This can cause a hazard for yourself and your environment.

Please check the following table before contacting your retailer:

Malfunction	Underlying cause (error)	Solution
Fan does not turn.	Fan switched off?	Switch on fan.
	No mains voltage?	Check circuit breaker.
	Wiring connected incorrectly?	Check steps 4 and 5 to ensure wiring connected correctly.
Fan vibrates.	Fan not installed properly?	Install fan thoroughly according to installation instructions.

If you cannot resolve the malfunction yourself, please ask your retailer directly.

Please note that the warranty will be voided by inappropriate repairs.

TECHNICAL DATA

Speed	Voltage	Power	RPM
III	230V ~ / 50Hz	60W	285
II		53W	230
I		53W	130

MANUFACTURER

Vaxcel International Co., Ltd.
121 E North Avenue, Carol Stream, IL, USA
www.vaxcel.com