

---

# **INSTRUCTIONS FOR INSTALLATION AND USE**

## **Ceiling Fan Model Ursa (FN75539/FN75537)**

### **BEFORE YOU START**

Proper use:

- This product is intended exclusively for non-commercial use as ceiling fan.
- The product has to be installed and used in accordance with these instructions.
- Any use of this product that is not in accordance with these instructions will void the legal warranty of the manufacturer.

Please keep the original carton and packaging material as the warranty will only be honored if product is returned in complete original packaging.

### **FOR YOUR OWN SAFETY**

General safety instructions:

- For the safe use of this product, you need to have read and understood these instructions before installing or using the product.
- Please follow all safety instructions! If you ignore these safety instructions, you will endanger yourself and others.
- Keep these instructions for future reference.
- All parts of this product have to be installed properly in order to ensure safe operation.
- Modification of the product and use of non-approved parts are prohibited.
- This product is not intended for use by persons (including children) with reduced physical, sensory or mental capabilities, or lack of experience and knowledge, unless they have been given supervision or instruction concerning the use of the product by a person responsible for their safety. Children should be supervised to ensure that they do not play with the product.

Electrical safety:

- The electrical installation must be performed by a qualified electrician and must be in accordance with national and local regulations.
- Use a fault-current circuit breaker with a rated residual current of no more than 30 mA.
- Make sure to install an all-pole disconnection switch having a contact separation of at least 3mm between poles in the supply wiring to the ceiling fan.
- Before connecting the appliance to the electrical grid, make sure that it will only be operated within the specified parameters.
- The fan must be properly grounded to avoid the risk of electric shocks.
- Switch off the power before connecting, repairing or cleaning the fan.
- Install only bulbs of the type intended for your fan.

Storage and transport:

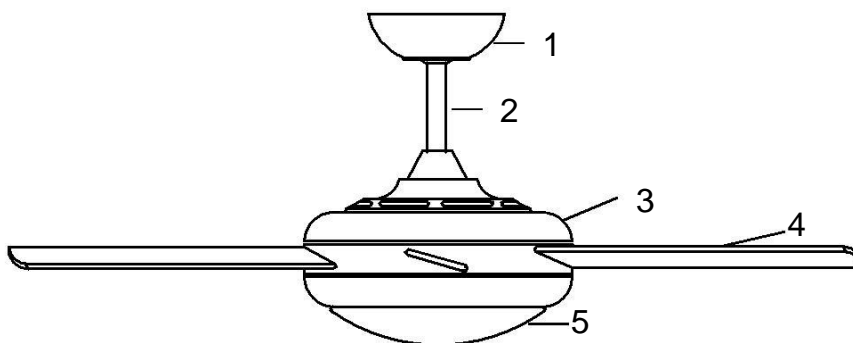
- Always store the fan in a dry environment.
- Protect the fan from damages during transport.

Safety instructions specific to this fan:

- Attach the fan only directly to ceiling structure.
- The carrying capacity of the ceiling structure from which the fan is hung must be at least three times the weight of the fan.
- The minimum distance between the blades of the fan and the floor must be 2.3m.
- Never mount the fan outside or in a humid or wet environment. The fan can not be installed within proximity of water (e.g bath tub, swimming pool, water connection).
- The fan can be installed on ceilings with a slope of up to 23 degrees.
- Switch off the power before connecting, replairing or cleaning the fan.
- The rotor area has to be kept clear of any objects at all times.
- Be careful when working near the rotating blades.

**FAN OVERVIEW**

1. Canopy
2. Downrod
3. Motor Housing
4. Fan Blade
5. Fan Light



**UNPACK THE FAN**

- Unpack the fan and check that contents of packaging are complete.
- Dispose of packaging – see also “Disposal”.

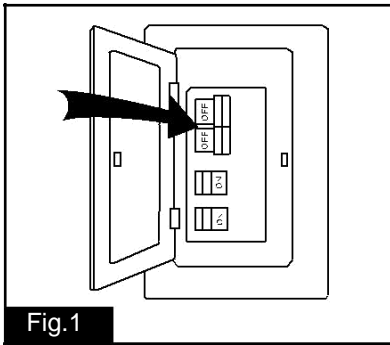
Contents of packaging:

Instructions for installation and use	Fan Blades (5 PCS)
Hanger Bracket	Motor Housing
Canopy	Fan Light
Downrod Set (Includes Ball Joint, 6” Downrod, Hanger Pin & Lock Pin)	Assembly Kit
Downrod Stand Cover	Remote Control

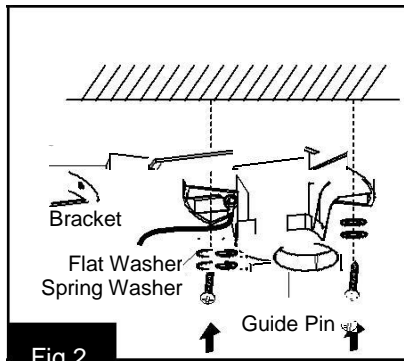
Note: In case of damage or missing parts, please contact your retailer.

**INSTALLATION**

<b>Risk of electric shock:</b> Switch off the electricity using the switch at the circuit breaker box before installing the fan.
<b>Risk of electric shock:</b> The electrical installation must be performed by a qualified electrician and must be in accordance with national and local regulations.
<b>Risk of injury:</b> In case you need to drill holes for mounting the fan, make sure that the drills have sufficient distance to in-ceiling wiring.

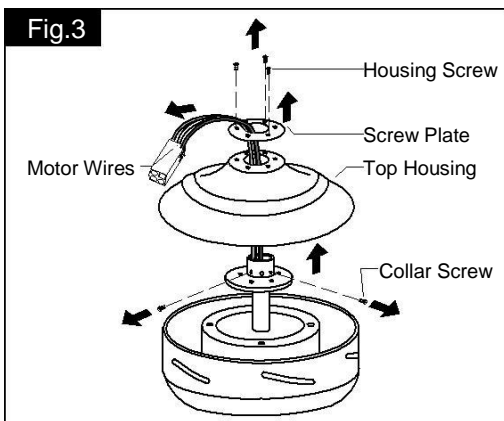


**Fig. 1**  
Turn off the electric circuit at the main fuse or circuit breaker box.

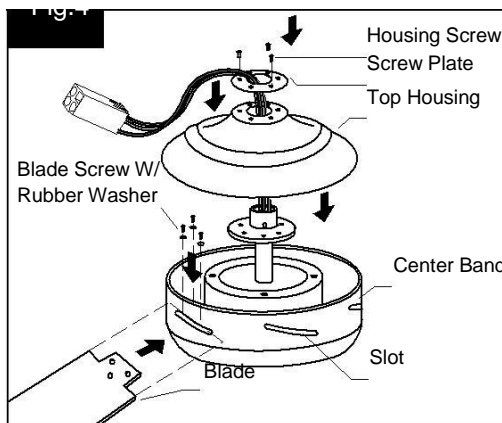


Attach the hanger bracket to the ceiling with spring washers, flat washers and 2 mounting screws.

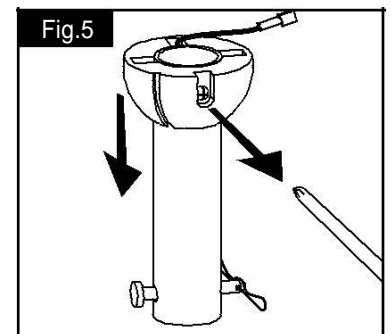
**Note:** For sloped ceiling installation, make sure that the hanger bracket is installed so that the guide pin is facing upward.



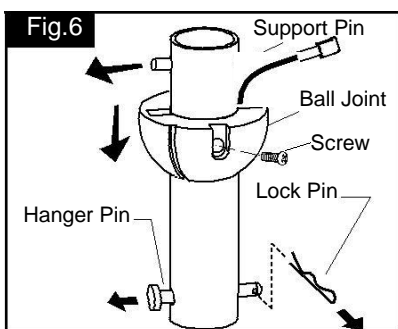
Remove three Housing Screws and two Collar Screws. Take care not to drop the screws or washers into the fan housing. Push the Screw Plate and the Top Housing upward, and slide them down the Motor Wiring until they are out of the way.



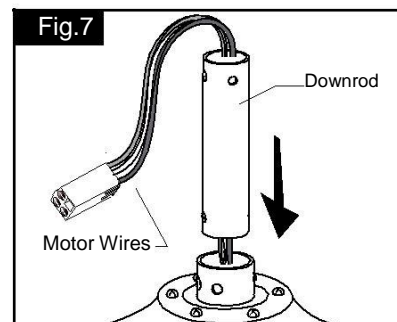
Insert the Blade through the slot on the Center Band. Align holes and fasten Blade to the motor with Blade Screws and rubber washers. Repeat for remaining Blades. After all Blades are fastened securely to the motor, restore the Top Housing and Screw Plate onto the motor and fasten it with the three Housing Screws.



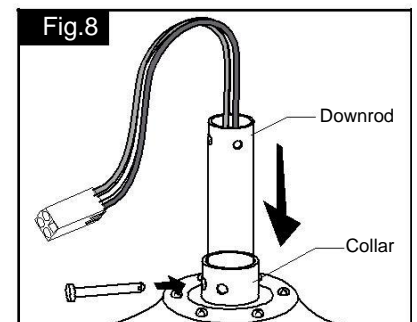
Remove the Hanger Ball screw, then slide the Hanger Ball downwards.



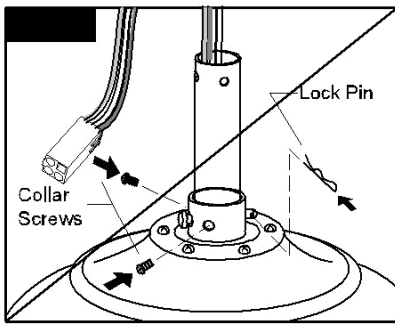
Slide the support pin out. Remove the Ground Wire screw. Remove the Lock Pin and take off the Hanger Pin. Remove the Hanger Ball.



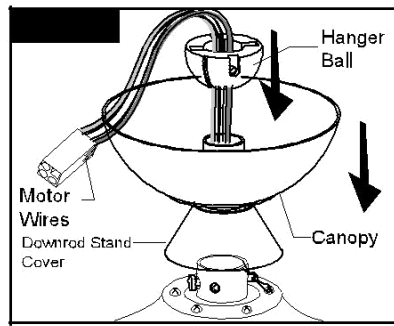
Thread the Motor Wires through the Downrod.



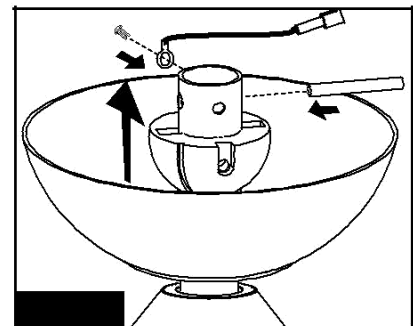
Insert the Downrod into the Collar. Slide Hanger Pin through holes of Collar and Downrod.



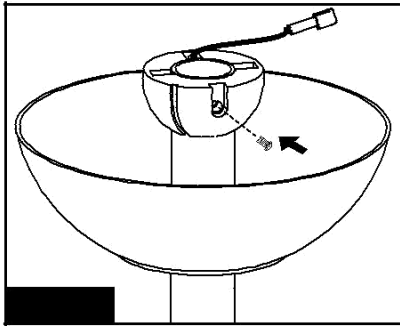
Insert and tighten the two Collar Screws. Slide Lock Pin into Hanger Pin until it locks into position.



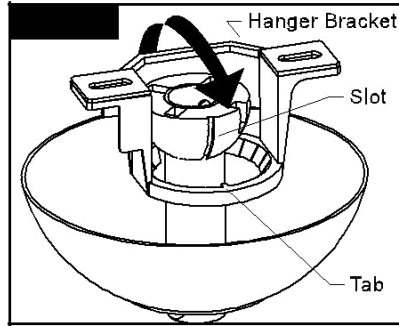
Thread the Motor Wires through the Downrod Stand Cover and Canopy, as shown. Then thread the wires through the Hanger Ball.



Tighten the Ground Wire Screw. Slide the pin in. Slide the Hanger Ball up into position.

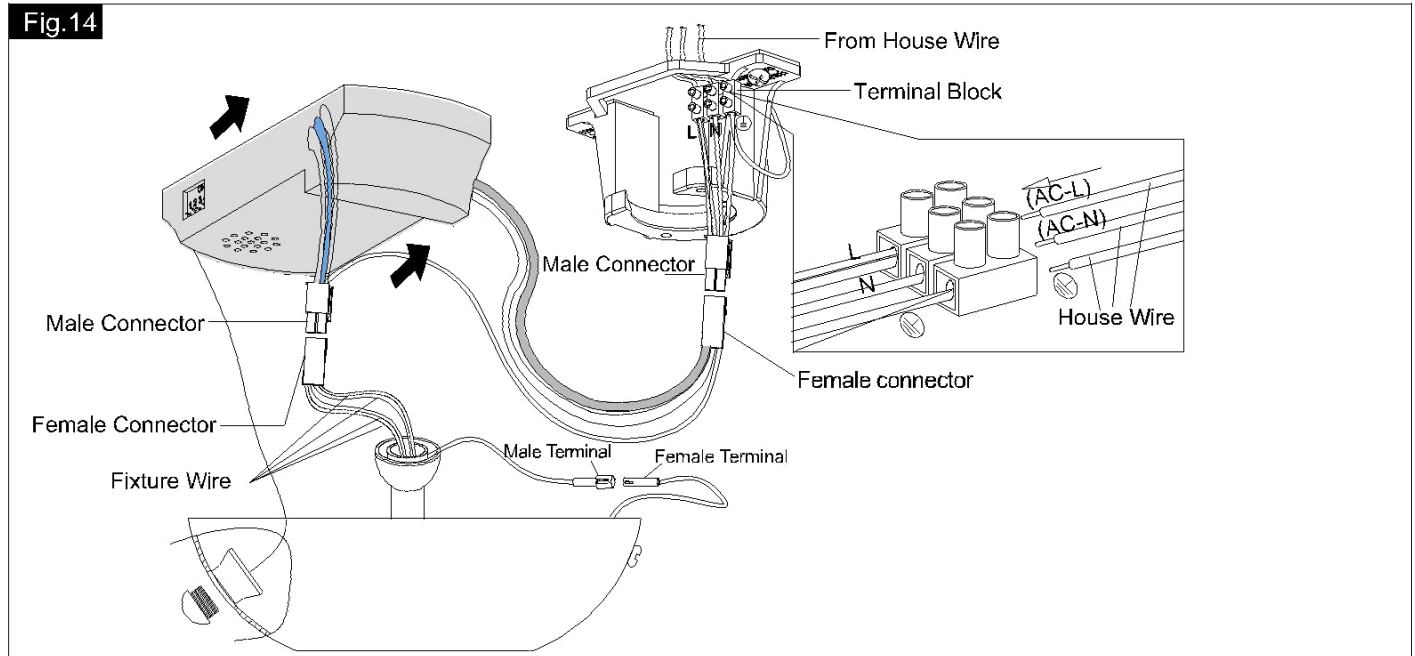


Tighten the Hanger Ball Screw to the Downrod.



Hang the fan on Hanger Bracket, and make sure the slot of Hanger Ball is snapped into the chip of Hanger Bracket exactly.

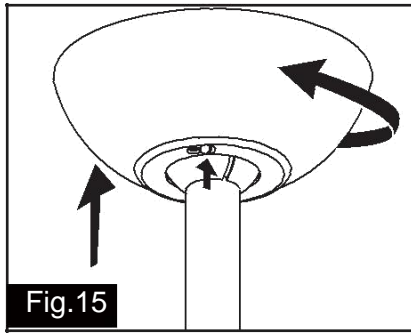
**Fig. 14**



1. Make house wire connections. Follow diagram on the right and make sure that all exposed wires are tightened by screw on terminal block.

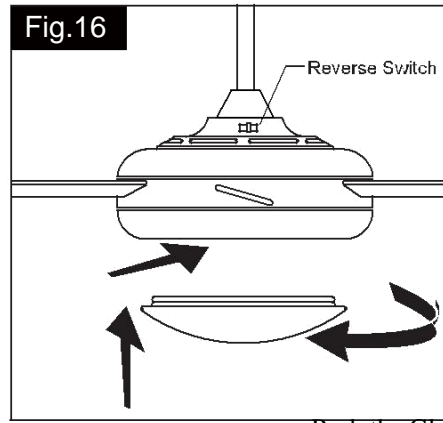
Note:

- a.) The terminal block shown in right graph is pre-installed on the mounting bracket.
  - b.) After wiring is completed, gently push wires into hanger bracket with terminal block facing upward (if applicable).
2. a.) Slide receiver through hanger bracket as shown.
- b.) Plug the male connection of receiver wires into the female connector of motor wires.
  - c.) Insert the infra-red sensor into the hole on the canopy
  - d.) Make fixture wire connection. Plug the male connector into female connector and plug the male terminal into female terminal. (Do not force it into wrong receptacle as it will cause damage.)



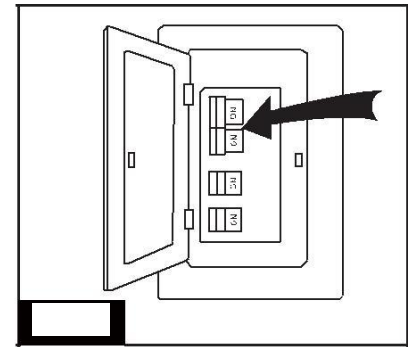
**Fig. 15**

Tuck the Antenna into the Canopy. Push the Canopy upwards, lining up the keyholes on the bottom with the screws on the Hanger Bracket. Twist the Canopy to lock it in place, then tighten the screws to secure it.

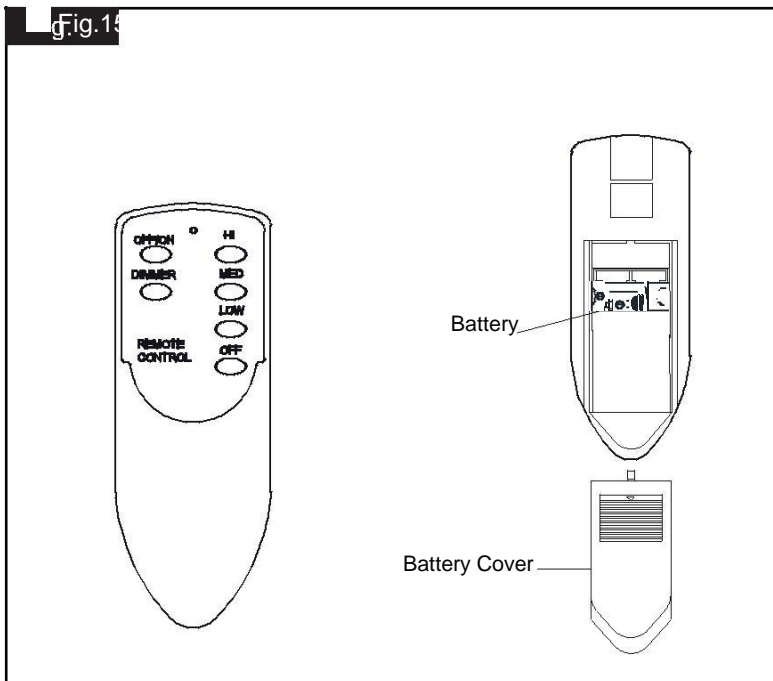


**Fig. 16**

upwards and turn to install. Use the reverse switch to have the Fan turn in the opposite direction.



Turn ON the electric power at the main fuse or circuit breaker box.



**Fig. 14**

1. Install the battery (AAA) to the transmitter.
2. OPERATING TRANSMITTER:
  - \* Press "HI" to turn on the fan at high speed.
  - \* Press "MED" button to turn the fan in medium speed.
  - \* Press "LOW" button to turn the fan in low speed.
  - \* Press "OFF" button to turn off the fan.
  - \* Press and release the "ON/OFF" button quickly to turn on or turn off the light.
  - \* Press and hold the "DIMMER" button to dim or brighten lights to the desired level and release.

## CLEANING

**Risk of injury:** Before cleaning the fan, always switch off the power at the main circuit breaker and wait until the fan has come to a complete stop.

Clean the fan with a dry or damp soft cloth. Do not use any liquids or detergents.

## DISPOSAL

**Disposal of the fan:** You are required to dispose of electric and electronic appliances separately from your household waste. Please inquire at your municipality regarding proper ways of disposal.

By separately disposing of your electric and electronic appliances, you are participating in recycling and you are helping to prevent potentially toxic substances from polluting the environment.

**Disposal of the packaging:** The packaging consists of cardboard and marked plastic and Styrofoam which can be recycled. Please recycle.

## MALFUNCTIONS – TROUBLE SHOOTING

**Risk of injury:** Inappropriate repairs can lead to the fan not functioning safely. This can cause a hazard for yourself and your environment.

Please check the following table before contacting your retailer.

Malfunction	Underlying cause (error)	Solution
Fan does not turn.	Fan switched off?	Switch on fan.
	No mains voltage?	Check circuit breaker.
	Wiring connected incorrectly?	Check step 5 to ensure wiring connected correctly.
Fan vibrates.	Fan not installed properly?	Install fan thoroughly according to installation instructions.
Light does not work.	Lamp defective?	Exchange lamp.

If you can not resolve the malfunction yourself, please ask your retailer directly.

Please note that the warranty will be voided by inappropriate repairs.

## MANUFACTURER

Vaxcel International Co., Ltd.  
121 E North Avenue, Carol Stream, IL, USA  
[www.vaxcel.com](http://www.vaxcel.com)

